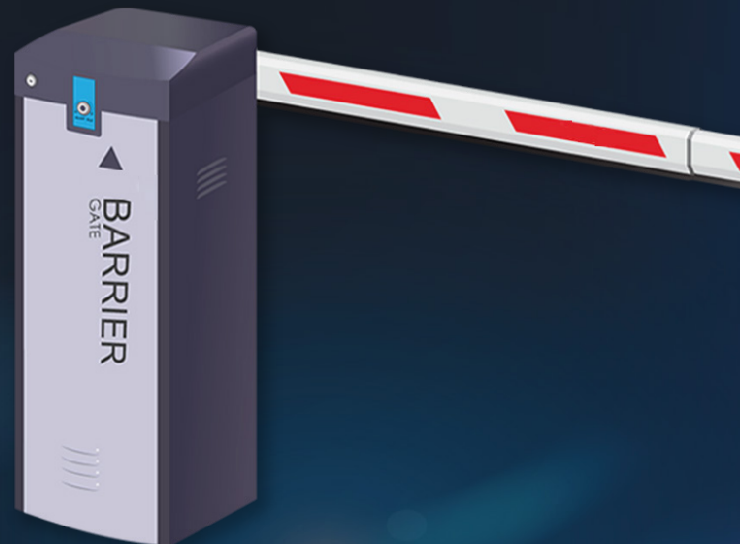


## Gate Barrier

**IPARKPRO Gate Barrier typically installed at the entrance with an access control reader to restrict unauthorized vehicle access. It supports a 4m telescopic arm with a swing-out function.**

**Gate Barrier with a 1.8-sec opening/closing speed is the fastest among all our barrier gates for high traffic.**

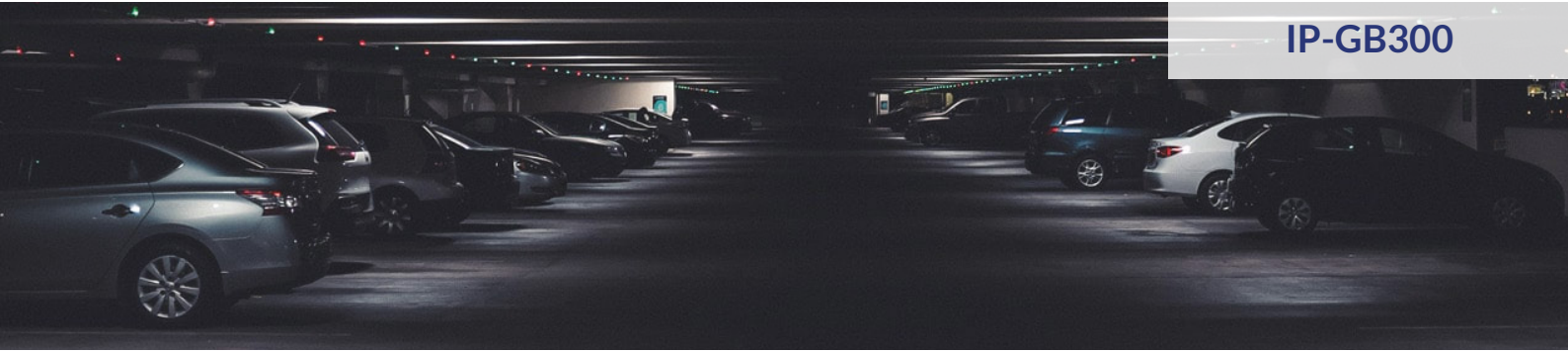


### High Security and Reliability

High-strength carbon steel splicing frame and a new spraying process ensure the solid body. The barrier gate has comprehensive anti-crushing protection: infrared anti-crushing, radar anti-crushing, and anti-crushing loop detector.

Digital control technology guarantees safe operation throughout the process. The powerful motor ensures a long service life of at least 3 million operations.





## OVERVIEW

IP-GB300 series modern gray concept effectively increase premium prestigious impression of guard house entrance at any high end lifestyle residential or premium commercial building. Impress your guest when they visit you at your luxury home or designer building.

## KEY FEATURES

### Lower maintenance

Motor uses lowest possible rotation speed (RPM) that reduces mechanical wear and effectively eliminates any maintenance servicing on the motor.

### 2 times safer

DDS (Dual Detection Safety) uses dual sensor to auto reverse the arm if blocked by obstacle. This is a important double safety feature to prevent further damage in the event when arm hit car or pedestrian.

### Lesser break down

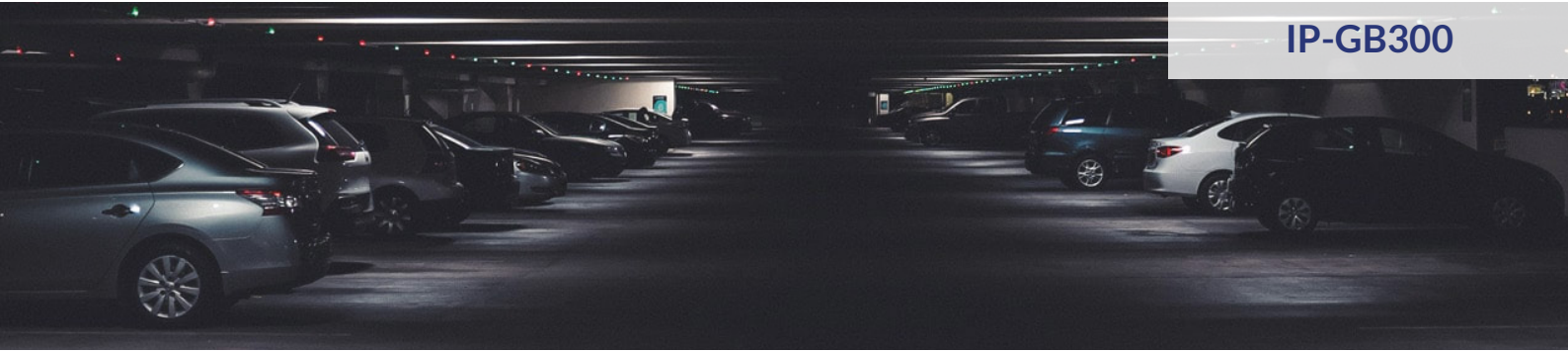
DSP (Dual Spring Pull) mechanism to achieve two times smoother arm motion with lesser vibration. Well balanced arm weight reduces the possibility of broken spring thus reducing down time.

### Fast spare part

No more waiting 1 or 2 months to import parts from oversea. We offer original spare parts and repairing services to fix your barrier gate in shortest time possible.

## TECHNICAL SPECIFICATIONS

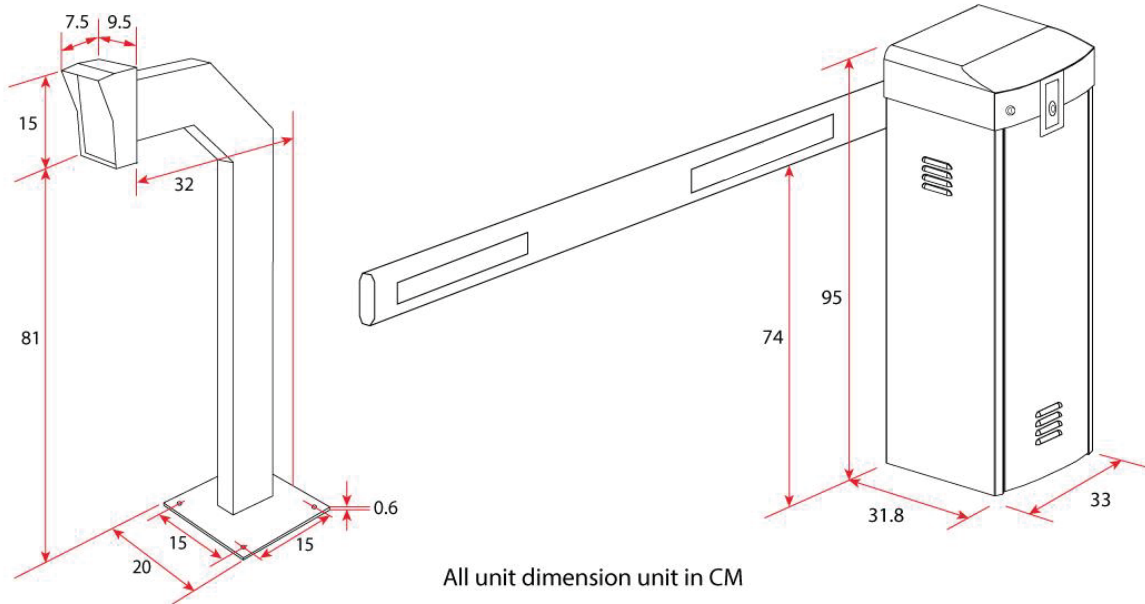
PARAMETER	IP-GB300
Mechanical temperature	-40°C to 75°C
Electrical temperature	-10°C to 75°C
Power supply input	220V ±10% AC, 50/60Hz
Power consumption	80 watt-1.25A @ 240V
Relative humidity	<90%
Arm speed	1.8, 3, 6 second
Internal lubrication	Grease
Motor	Bluespeed AC motor
Max starting torque	Max torque : 1 second : 1.4±0.2 N.M   3 / 6 second : 2.1 ± 0.1 N.M
AC rotation speed	AC rotation speed :1 second : 900 ± 50 RPM   3/6 second : 460 ± 40 RPM



## TECHNICAL SPECIFICATIONS

PARAMETER	IP-GB300
Starter	Starter Capacitor 9+9 $\mu$ F 450VAC
IP rating	IP44
Cycle before failure	4 million cycle ( approximately 5.5 year )

## DIMENSIONS



### USA & CANADA

Tel +1-877-6774040  
info@iparkpro.com

Williams Tower, 41st Floor, 2800 Post Oak  
Boulevard, Houston, TX 77056, USA

### EUROPE

Tel +44-203-835-2255  
uk@iparkpro.com

86-90 Paul Street, London, England,  
United Kingdom, EC2A 4NE

### MIDDLE EAST

Tel +971 4 556 1557  
mena@iparkpro.com

Boulevard Plaza Tower One, Level 3,  
Downtown Dubai, United Arab Emirates