

## Smart Barrier



## Smart and Aesthetic Design

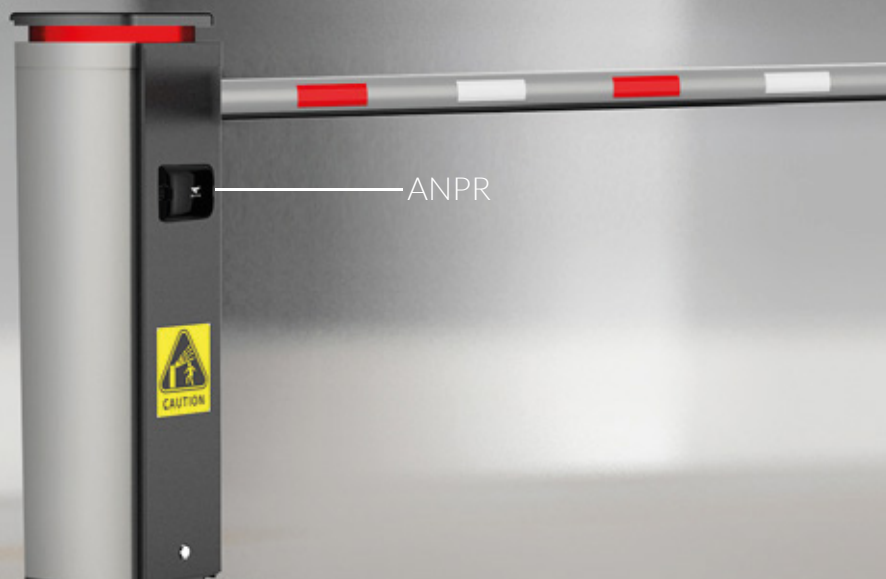
IPP-SB-004L is available in two different colors, silver and black. The high level of integration makes it look minimalist but more powerful than others. The novel breathing light design can clearly display the operating status of the boom gate, which greatly improves the passing experience.

## A Smart Helper for Smart Parking Management

Brushless DC motors can easily handle daily high frequency operations, especially during peak hours. IPP-SB-004L is suitable for different scenarios and can be used with a full range of booms, such as straight boom, folding boom, elliptical boom, anti-collision elliptical boom, luminous boom and fence boom.

## High Accuracy and Reliability

IPARKPRO's self-developed AI LPR algorithm has improved the recognition accuracy rate to 98%. The product can be used together with a video intercom terminal and a management platform to support a number of extended functions, such as front-end voice interaction, advertisement push, etc. Most importantly, it can support unattended parking applications, online payment and remote maintenance.



## Four Operation Control Modes

The boom gates can be flexibly controlled by four ways: loop detector, parking management software, infrared controller and manual control.

### TECHNICAL SPECIFICATIONS

PARAMETER	SPECIFICATIONS
Input Voltage	AC220±10%, 50Hz, AC110±10%, 60Hz
Operating Voltage	DC 24V
Operating Temperature	-25°C~70°C
Operating Humidity	≤95%
Motor Power	150W
Communication Interface	IO
Lifespan	≥3,000,000 cycles
Protection Grade	IP54
Anti-crushing	Digital anti-crushing, infrared anti-crushing, radar anti-crushing, anti-crushing loop detector
Anti Collision Boom	Support
Dimension (L*W*H)	380mmx340mmx1080mm
TTS Broadcasting	Support

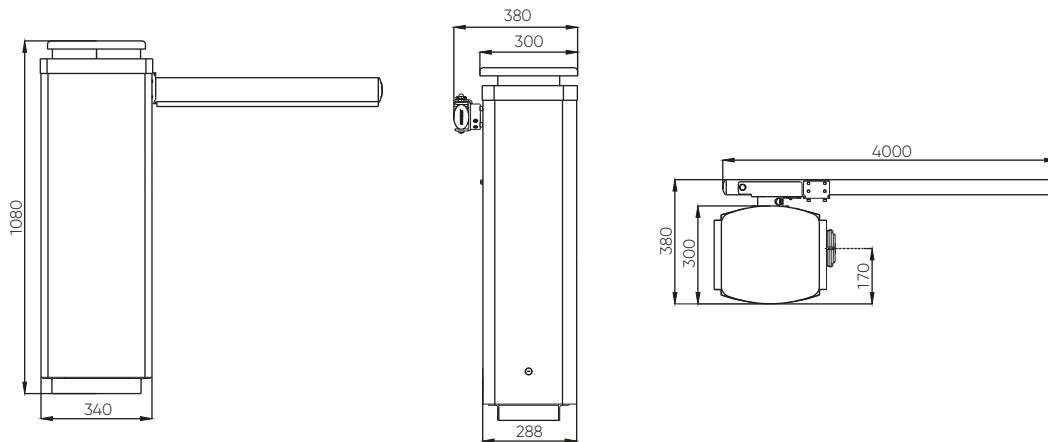
### BOOMS

Boom Type	Model name	Boom Length	Operation Speed	Boom Material B	Bumper Strip	Reflective Membrane
Folding Boom	IPP-FB-03	3≤L≤4m	2.0-2.5s	Aluminum alloy	Optional	Red+White
Elliptical Boom	IPP-EB-T	3≤L≤6m	3.0-5.0s	Aluminum alloy	Optional	Red+White
Anti-collision Elliptical Boom	IPP-AE-T07	3≤L≤4m	2.0-4.0s	Aluminum alloy	Optional	Red+White
Luminous Boom	IPP-LB-06	3≤L≤4m	2.0-2.5s	Aluminum alloy	Optional	Red+White

Built-in Camera	SPECIFICATIONS
Lens	3.3~10.5mm F1.4mm
Imaging Sensor	1/3 inch CMOS
Minimum Illumination	Color 0.1LUX@F1.2
Pixels	2MP
Video Compression	H.264/MPEG4
Stream Resolution	1080P/30fps, 720P/25fps
Adjustment Direction	Up, Down, Left and Right

Built-in Fill Light	SPECIFICATIONS
LED QTY	12
Power Consumption	20W
On/Off Control	Photosensitive (external)
Fill Light Distance	Illumination at 5m is greater than 50LUX
Adjustment Direction	Up, Down, Left, Right

## TECHNICAL DIAGRAM



Elliptical boom



Folding Boom



Luminous Boom



Anti-collision elliptical boom



Fence Boom III



Fence Boom IV

### USA & CANADA

Tel +1-877-6774040  
info@microlinknet.com  
Williams Tower, 41st Floor, 2800 Post  
Oak Boulevard, Houston, TX 77056, USA

### EUROPE

Tel +44-20-37695558  
uk@microlinknet.com  
86-90 Paul Street, London, England,  
United Kingdom, EC2A 4NE

### MIDDLE EAST

Tel +971 4 556 1557  
mena@microlinknet.com  
Boulevard Plaza Tower One, Level 3,  
Downtown Dubai, United Arab Emirates