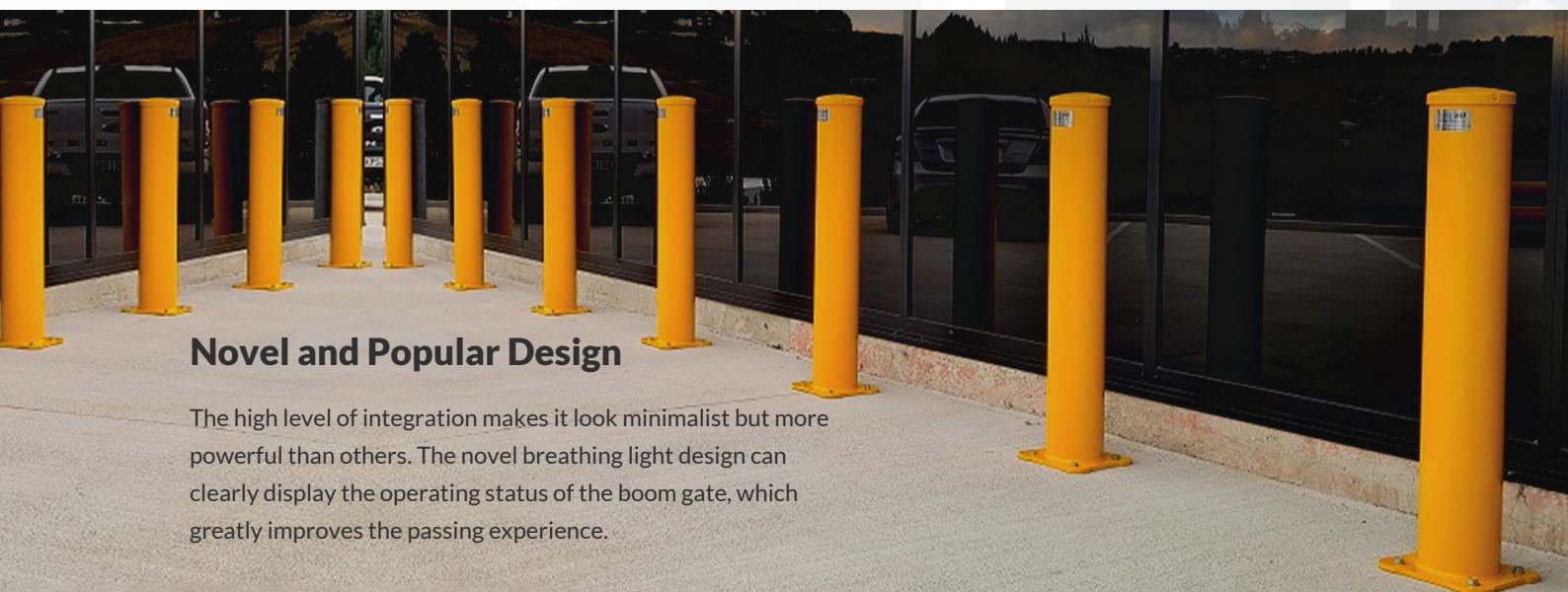


Fixed Bollards



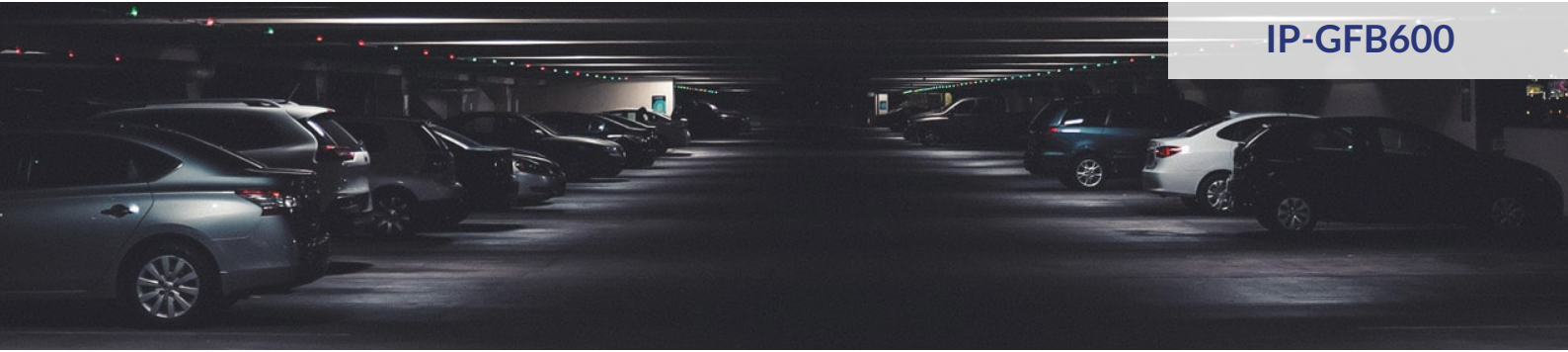
Fixed Bollards Barriers

IPARKPRO IP-GFB600 Series Bollards Systems are designed to provide secure solutions for vehicle access control and regulation of city traffic. State of the art internally incorporated the power pack presents silent and smooth operation, with ease of installation and maintenance. IP-GFB600 Bollards are applicable in areas where frequent and heavy duty usage is required at moderate to high level of security, providing solid protection, while maintaining its aesthetic line thanks to its continuously evolving modern design.



Novel and Popular Design

The high level of integration makes it look minimalist but more powerful than others. The novel breathing light design can clearly display the operating status of the boom gate, which greatly improves the passing experience.



OVERVIEW

IParkPro IP-GFB600 Series Fixed Bollards are designed to provide vehicle access control in areas where none or rare vehicle passage is present, applied to those sites at which low to medium security is required. Thanks to its modular structure IP-GFB600 Series Fixed bollards can be installed with ease and can be removed with low effort when required. Manufactured to provide total outlook coherence with IParkPro IP-GFB600 Series Automatic Bollards, IP-GFB600 Series Fixed Bollards is the ideal cost-effective solution for vehicle access regulation.

KEY FEATURES

Cutting Edge

State-of-the-art internal hydraulic power pack design with maximum reliability

Efficient

Ease of maintenance and installation combined with smooth and silent operation, thanks to internal hydraulics and modular case design internal hydraulics and modular case design

Cost-Effective

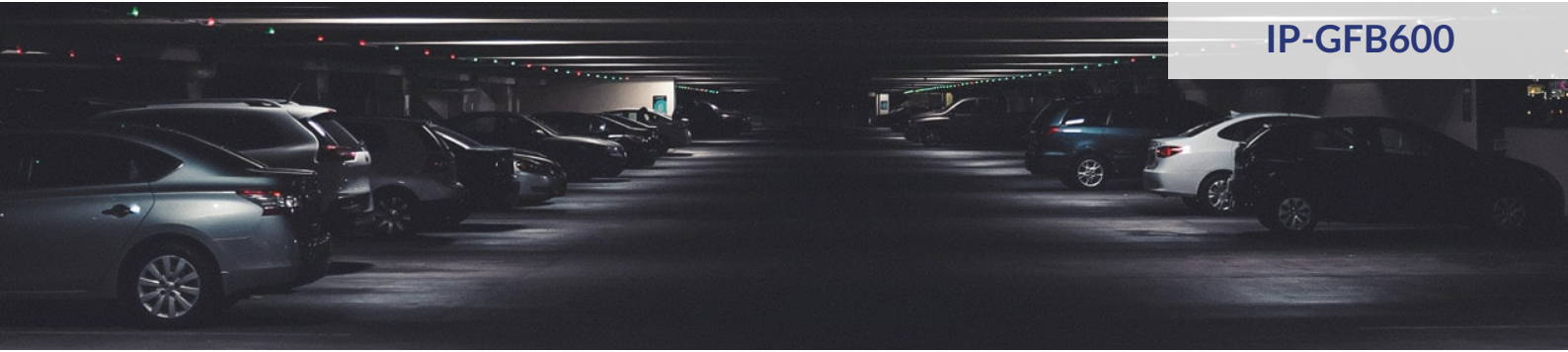
Budget friendly solution for projects with financial constraints

Heavy Duty

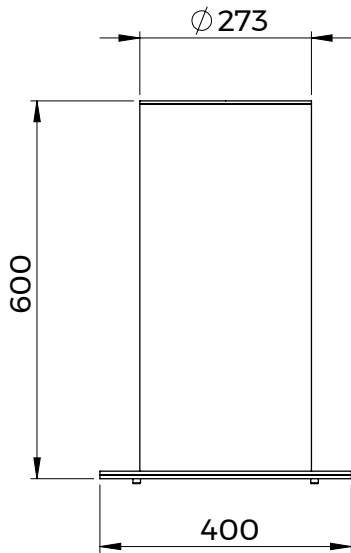
Suitable for intense usage at high frequency access control points, supporting 5,000+ movements in a consecutive fashion, a total 10,000+ movement per day

TECHNICAL SPECIFICATIONS

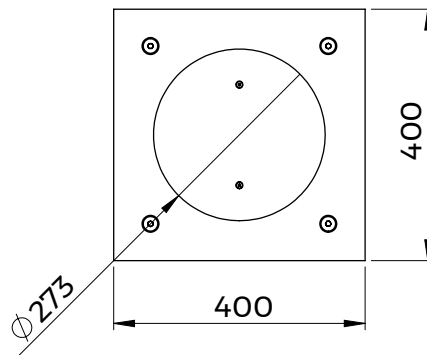
PARAMETER	IP-GFB600
Type	Static
Core Bollard Diameter	273 mm
Obstacle Height	500 to 700 mm
Core Thickness	5 mm
Installation Type	Surface Mounted with Expansion Bolt
Top Cover	Electrostatic Powder Coated 5 mm Steel Core (Standard)
Bollard Finishing	Anti-corrosive Coating with Two Component Surface Tolerant Epoxy Mastic (Jotamastic). Different RAL Colors Available on Demand
Certification	ISO 9001:2015
Warranty	2 Years



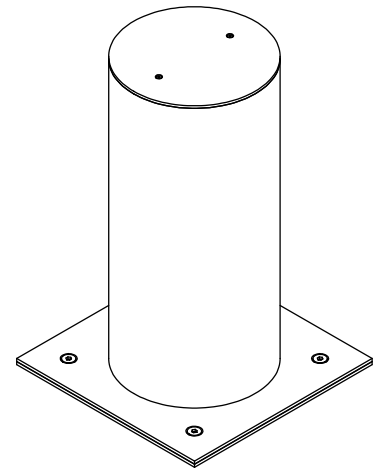
DIMENSIONS



Front View



Top View



Isometric View

USA & CANADA

Tel +1-877-6774040
info@iparkpro.com

Williams Tower, 41st Floor, 2800 Post Oak
Boulevard, Houston, TX 77056, USA

EUROPE

Tel +44-203-835-2255
uk@iparkpro.com

86-90 Paul Street, London, England,
United Kingdom, EC2A 4NE

MIDDLE EAST

Tel +971 4 556 1557
mena@iparkpro.com

Boulevard Plaza Tower One, Level 3,
Downtown Dubai, United Arab Emirates